

The **AppliedMicro[®]** APM883408-X2 X-Gene 2[®] X-C2[™] Evaluation Kit enables comprehensive evaluation of the APM883408-X2 processor, while accelerating customers' hardware and software development time.

Product Overview

The AppliedMicro X-Gene 2 X-C2 evaluation kit, featuring the second generation X-Gene SOC provides users with a comprehensive set of resources to evaluate the APM883408-X2 processor as well as to start system development. The X-Gene 2 X-C2 evaluation board, incorporating the industry standard Linux operating system and Tianocore UEFI firmware, is an optimized, low-cost platform designed specifically for evaluation purposes. Schematics and layout files for the board are available so that customers can start their designs from a proven baseline. Likewise, the Linux code and Tianocore UEFI firmware source are available to accelerate customers' software development. The kit includes advanced software development tools to assist customers in selecting the most appropriate development and run-time environments.

Package Contents

- 1U Server Chassis with one/two X-C2 boards
- 500 GB SATA Gen-3 HDD included
- 120 V US Power Cord
- Eval Kit Getting Started Guide

Chassis Features

- 1U form-factor chassis (WxHxD: 17.2" x 1.7" x 27.75")
 - Supports two X-C2 boards (WxD: 6.5" x 12.3")
- 780W High-efficiency Power Supply
- 4 SATA Drive Bays/board
- 3x PWM Cooling Fans/board
- 1x Low-profile PCIe slot
- Power Switch and Reset Button

Hardware Features

- APM883408-X2 eight-core processor up to 2.4 GHz
- DDR3-1866 UDIMM/RDIMM 4-channels, 2 DIMMs/channel
 - 32/64/128 GB options (Config dependent on SKU)
- 10 GbE XFI port (SFP+)
- 1 GbE SGMII port (RJ45)
- PCIe x8 Gen-3 slot
- 6x SATA Gen-3 ports
- SDIO port
- 2x USB ports
- ASpeed 2400 BMC w/RJ45
 - IPMI 2.0 compliant

Hardware Features (cont'd)

- BMC VGA Video
- mSATA (Config dependent on SKU)
- USB FDTI Serial Console
- System LEDs

Software Features

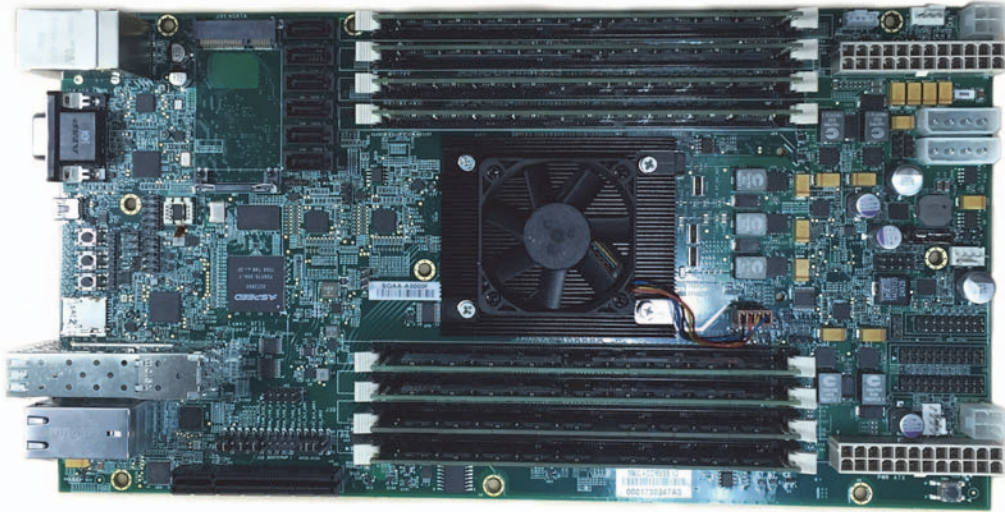
- Open Source Linux
- Tianocore UEFI with ACPI support (ARM SBSA and SBBR compliant)
- UEFI: AMI Aptio-V
- Full CPU and I/O Virtualization support
- OS: CentOS, Debian, Fedora, FreeBSD, OpenSUSE, RHEL, SLES, and Ubuntu

Documentation

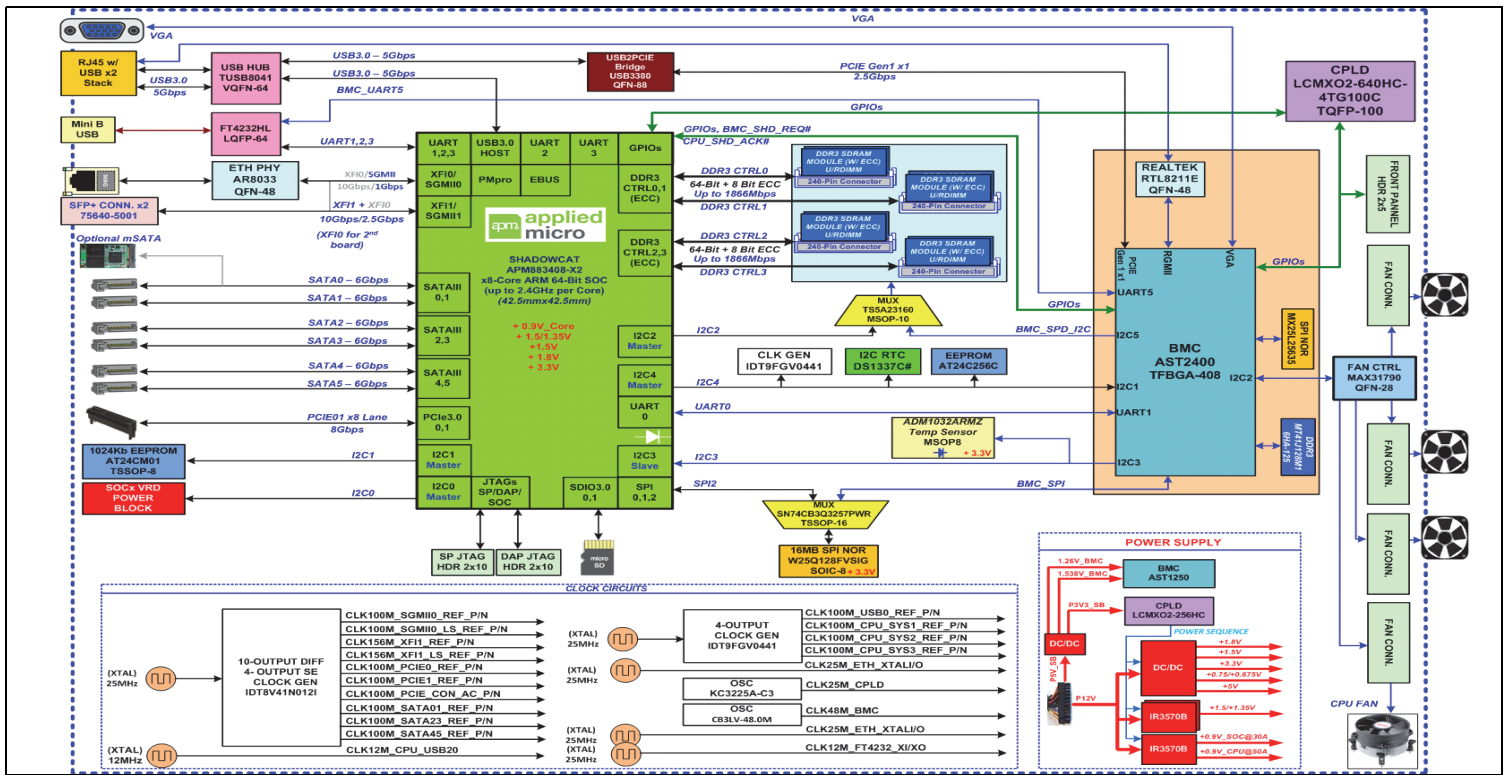
- Eval kit Getting Started Guide
- Eval kit board User's Manual
- Schematics and Layout files
- Collateral available at <https://myapm.apm.com/>

Ordering Information

- Part Number: EV883408-X2-Mxx-1
- APM: <https://www.apm.com/contact/sales/>
- Distributor: <https://www.apm.com/contact/find-a-distributor/>



X-Gene 2 X-C2 Board



System Block Diagram

AppliedMicro reserves the right to make changes to its products, its data sheets, or related documentation, without notice and warrants its products solely pursuant to its terms and conditions of sale, only to substantially comply with the latest available data sheet. AppliedMicro reserves the right to discontinue any semiconductor product or service without notice. AppliedMicro does not assume any liability arising out of the application or use of any product or circuit described herein, neither does it convey any license under its patent rights nor the rights of others. AppliedMicro SEMICONDUCTOR PRODUCTS ARE NOT DESIGNED, INTENDED, AUTHORIZED, OR WARRANTED TO BE SUITABLE FOR USE IN LIFE-SUPPORT APPLICATIONS, DEVICES OR SYSTEMS OR OTHER CRITICAL APPLICATIONS. AppliedMicro, the AppliedMicro logo, Cloud Server Processor, Cloud Server, Social Network Processor and AMCC are registered trademarks of Applied Micro Circuits Corporation. X-Gene is a trademark of Applied Micro Circuits Corporation. ARM is a registered trademark of ARM Limited. All other trademarks are the property of their respective holders. Copyright © 2015 Applied Micro Circuits Corporation. All Rights Reserved. X-Gene 2_APM883408-XC-2-EVKPB_v0.92_20150821

